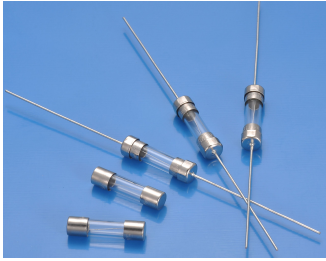


521 Quick-Acting Miniature Fuse



Main Characteristics

Cartridge Miniature fuse; Quick-Acting (F)

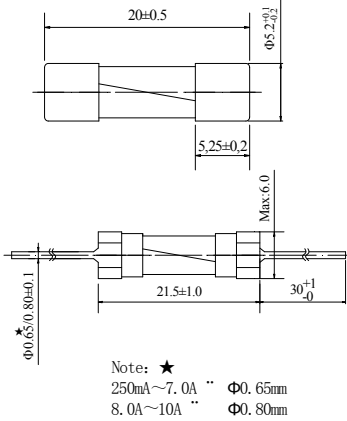
Standard

IEC 60127-2/ II

Materials

- Tube: Glass Tube
- End Caps: Nickel-plated brass
- Axial Leads: Nickel-plated caps
- Tin-plated copper wires

Dimensions (units in mm)



Operating Temperature

-55°C to +125°C

Storage Conditions

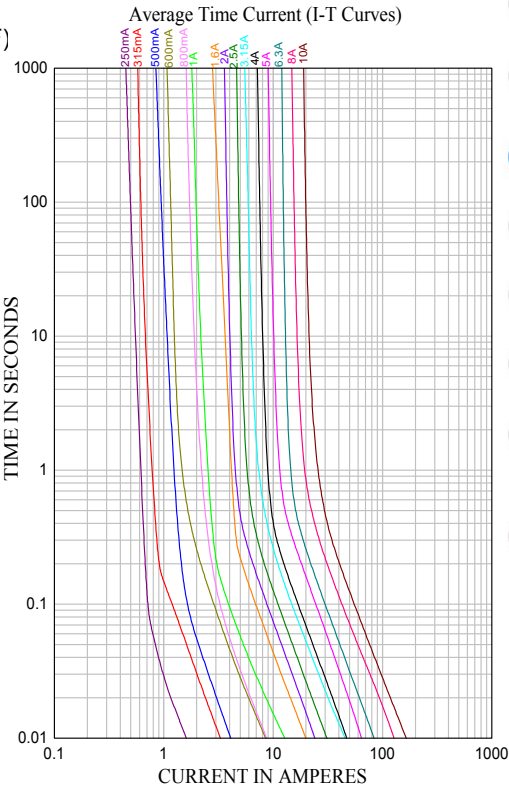
+10°C to +60°C
Relative humidity: ≤75% yearly average
without dew, maximum 30 days at 95%

Vibration Resistance

24 cycles at 15 min. each (60068-6)
10-60Hz at 0.75mm amplitude
60-2000Hz at 10g acceleration

Soldering Parameters

260°C. ≤5 sec (Wave Soldering)
350°C. ≤3 sec (Hand Soldering)
Soldering Peak:
260°C. 10 sec. (IEC 60068-20)



Time vs Current Characteristics: IEC 60127-2/ II					
Rated Current	150%	210%	275%	400%	1000%
250mA~6.3A	>1h	<30min	50ms~2s	10ms~300ms	≤20ms
8A~10A	>1h	<30min	50ms~2s	10ms~400ms	≤40ms



Electrical Characteristics						Approvals					
Amp Code	Rated Current	Voltage	Power	Nominal	Breaking capacity	VDE 250V	CQC 250V	cURus		PSE 250V	CCC 250V
		Drop(mV) Max	Dissipation Max(W)	Melting I ² t(A ² sec)				125V	250V		
0250	250mA	1400	1.6	0.0256	10kA/125V AC 100A/250V AC 50-60Hz Cosφ=0.7~0.8	○	○	○	○	○	○
0300	300mA	1300	1.6	0.1035		○	○	○	○	○	○
0315	315mA	1300	1.6	0.1089		●	○	●	●	○	●
0350	350mA	1300	1.6	0.1717		○	○	●	●	○	○
0375	375mA	1300	1.6	0.2058		○	○	●	●	○	○
0400	400mA	1200	1.6	0.24		○	○	●	●	○	●
0500	500mA	1000	1.6	0.1681		●	○	●	●	○	●
0630	630mA	650	1.6	0.7225		●	○	●	●	○	●
0750	750mA	240	1.6	0.813		○	○	●	●	○	○
0800	800mA	240	1.6	0.757		●	○	●	●	○	○
1100	1.00A	200	1.6	1.64		●	○	●	●	●	●
1125	1.25A	200	1.6	2.56		●	○	●	●	●	●
1150	1.50A	190	1.6	3.76		○	○	●	●	○	○
1160	1.60A	190	1.6	4		●	○	●	●	●	●
1200	2.00A	170	1.6	5.76		○	○	●	●	○	○
1250	2.50A	170	1.6	9.61		●	○	●	●	●	●
1300	3.00A	150	2.5	13.88		○	○	●	●	○	○
1315	3.15A	150	2.5	20.7		●	○	●	●	●	●
1350	3.50A	150	2.5	21.3		○	○	●	●	○	○
1400	4.00A	130	2.5	22.09		●	○	●	●	●	●
1500	5.00A	130	2.5	40.96		●	○	●	●	●	●
1630	6.30A	130	2.5	70.56	●	○	●	●	○	○	
1700	7.00A	130	2.5	105.5	○	○	●	●	○	○	
1800	8.00A	130	4	163.8	●	●	●	●	●	○	
2100	10.00A	130	4	272.2	●	●	●	●	●	○	

Note: Permissible continuous operating current is 100% at ambient temperature of 23°C (73.4°F)

Ordering Information

Series	Amp code	Packaging Code	Qty
521			