

规格书

型号

5X20MM 保险丝座 PTF-15

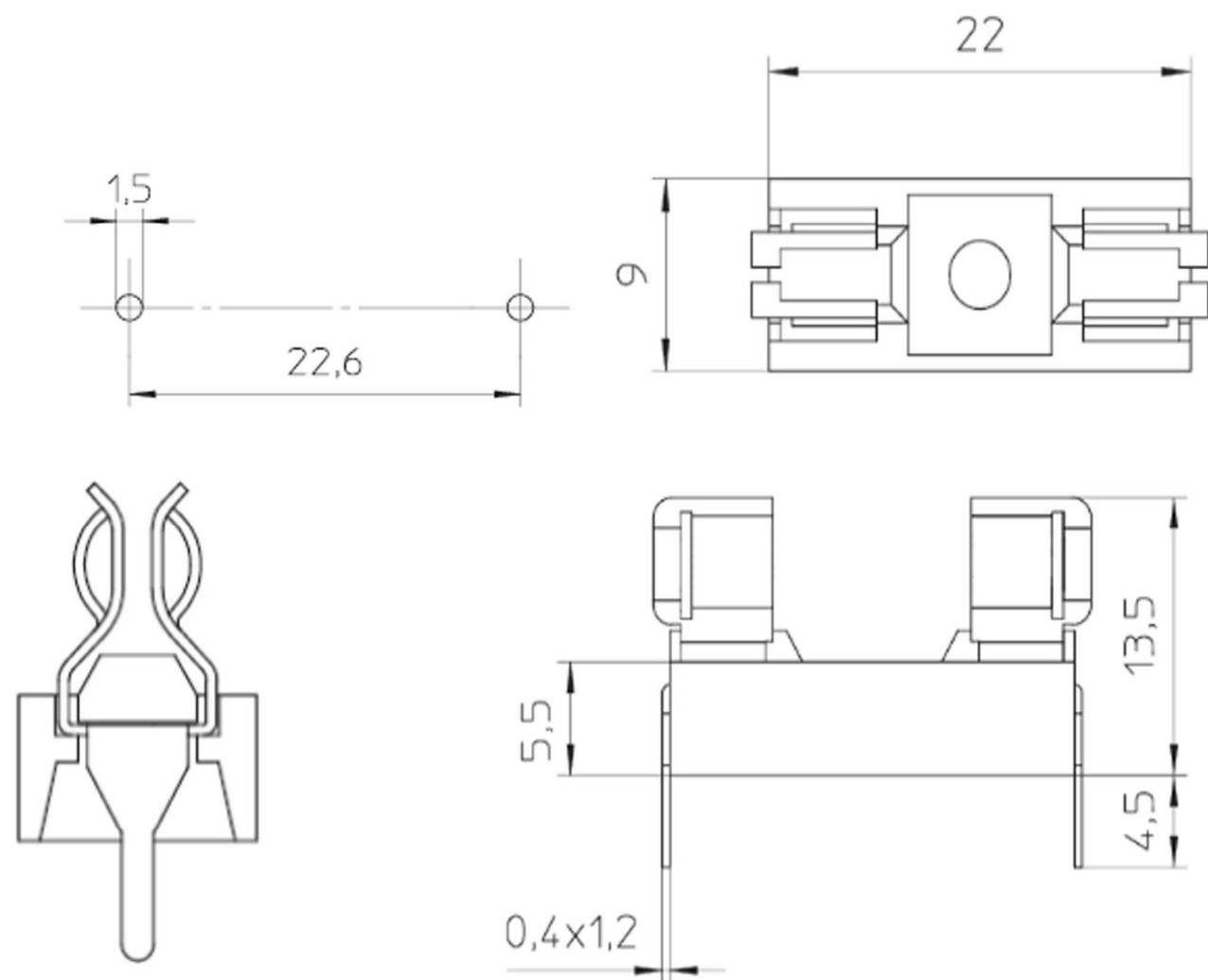
联系人

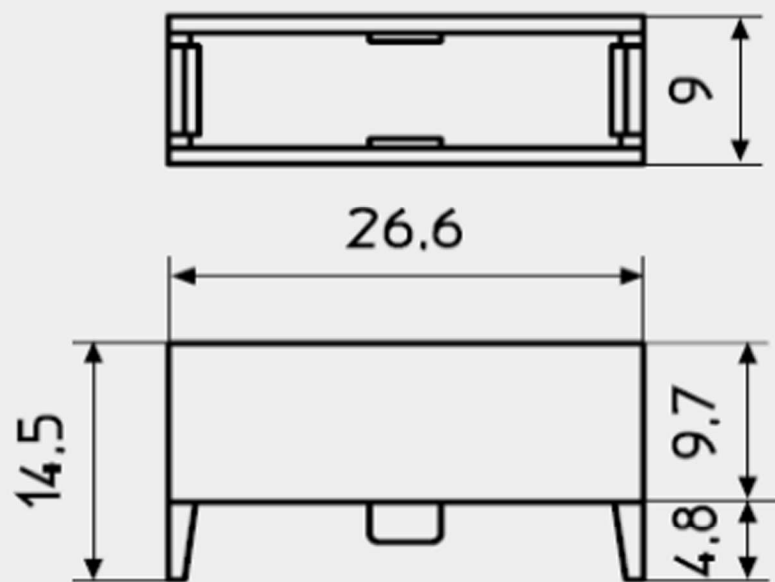
尺寸图 (单位: mm)



| | |
|--|---------------|
| Fuse link / Fusibile tipo | 5x20 mm |
| Mounting / Montaggio | P.C.B. / C.S. |
| Rated Current / Corrente nominale | 6,3 A |
| Rated Voltage / Tensione nominale | 250 VAC |
| Rated Power Acceptance / Potenza dissipabile | 1,6 W |

● 公差: +/-0.2mm





 EN 60127-6

Rated Current / Corrente Nominale


10 A

Rated Voltage / Tensione nominale

250 VAC

Rated Power Acceptance / Potenza dissipabile

2,5 W

 US UL 4248-1 + C22.2 no. 4248-1

Rated Current / Corrente Nominale

20 A

Rated Voltage / Tensione nominale

250 VAC

Rated Power Acceptance / Potenza dissipabile

—

Standard colour / Colore standard

Yellow / Giallo

Other colours / Altri colori

On demand / A richiesta

Accessories / Accessori

Cover / Cappuccio BS140 p. 36

Other information / Altri dati

p. 38

Standard package / Imballo

Bulk / Scatola 1000 pcs
TUBE - 55 pcs

● 电气特性要求

| 保险丝规格 | 最大承受电 流 | 额定电压 | 绝缘电阻 | 耐压 |
|-----------------------|------------|------|------|----|
| 5X20MM 保险丝座 PTF-15 | 20A | 250V | | |

● 座基: PBT

● 底座耐温: 材质耐温最高承受 240-260 度

● 盖子耐温: 材质 PS 耐温 90-110 度 (阻燃和不阻燃)

● 承受电流: 20A/250V

● 夹片端极: 黄铜镀镍/镀锡

● 颜色: 米黄色 黑色

● 使用方式: PCB 板 焊接 可过波峰焊

● UL 标准 20A/250V VDE 标准 10A/250V

● 安规认证 UL VDE