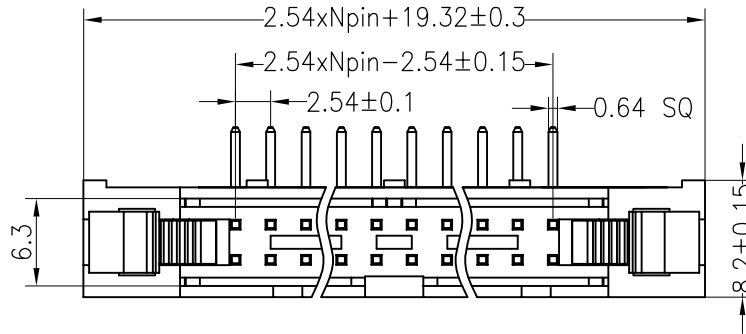




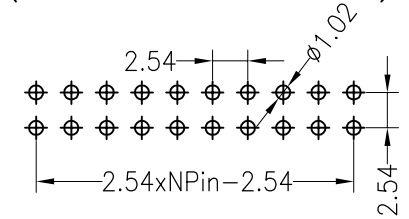
SPECIFICATIONS

Rated Current:3.0AMP
 Contact Resistance:20mΩ Max
 Withstand Voltage:1000V AC/DC
 Insulation Resistance:1000MΩ Min
 Operation Temperature:-40°c to +105°c

Contact Material:Brass
 Contact Plating:Au or Sn Over Ni
 Insulator Material:Polyester(UL94V-0)
 Standard: PA6T
 Max.Processing Temp: 230°C for 30-60 seconds
 (260°C for 10 seconds)

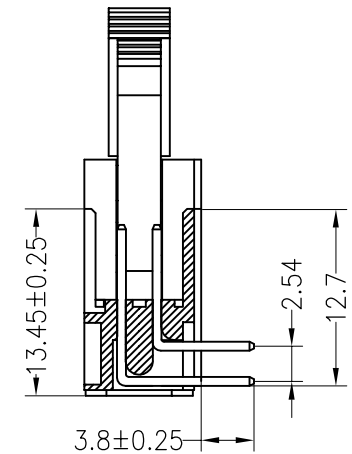
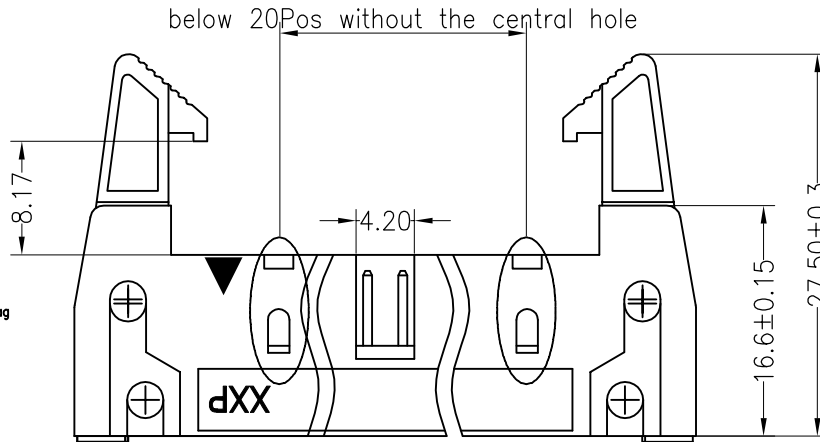


Recommended P.C.B Layout(Top Side)
 (PCB BOARD TOLERANCE±0.05)



Ordering Information
 3310 XX R XX X X X X 0 X

- No.of Pins: 6--64
- Contact Plating: G0:Gold Flash, G1:1U" Gold, G2:1.5U" Gold, G3:2U" Gold, G4:3U" Gold, G5:5U" Gold, S0:Gold Flash/Tin, SN:Tin
- Insulator Material Option: A=BK-PBT, C=BK-PA6T, D=BK-PA46, F=BK-PA9T, F=BK-LCP
- Color Type: B=Black, G=Grey
- Latch Type: L=Long Latch, S=Short Latch, N=Without Latch
- Packing: 0=PE Bag, A=Tray, T=Tube



OPERATION		DRAW	YiYuSheng	12.03.28	SCALE	FIT
X.X	±0.30					
X.XX	±0.20	CHECK			UNIT	mm
X.XXX	±0.10					
Angle	±3°	APPROVE			SIZE	A4
DIM	TOL					
					SHEET	1/1
					PROJ.	◆

PART NO.		3310XXRXXXXX0X	
		TITLE:	
		2.54 ejector header Npin 90°	



A0	2012.03.28	NEW DRAWING	
REV	DATE	MODIFICATION DESCRIPTION	CHANGE