

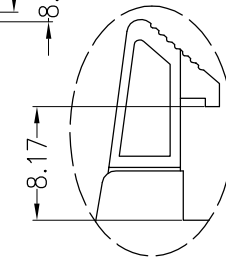
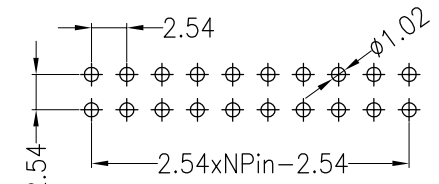
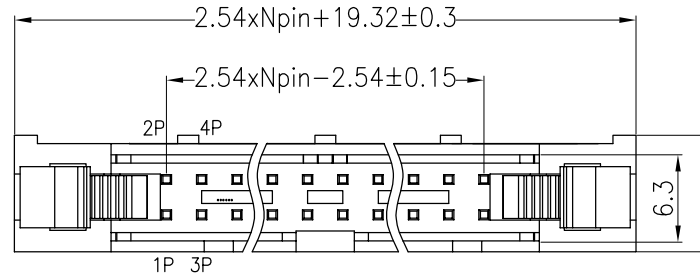


SPECIFICATIONS

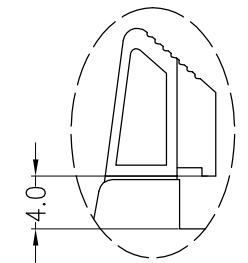
Rated Current:3.0AMP
 Contact Resistance:20mΩ Max
 Withstand Voltage:1000V AC/DC
 Insulation Resistance:1000MΩ Min
 Operation Temperature:-40°c to +105°c

Contact Material:Brass
 Contact Plating:Au or Sn Over Ni
 Insulator Material:Polyester(UL94V-0)
 Standard: PA6T
 Max.Processing Temp: 230°C for 30-60 seconds
 (260°C for 10 seconds)

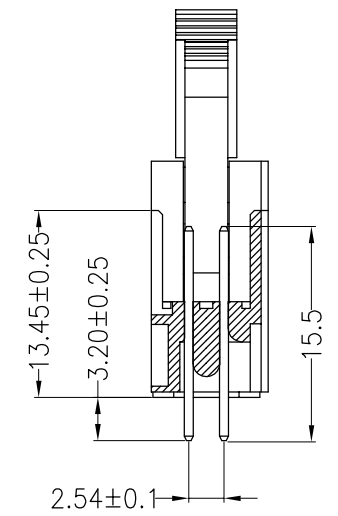
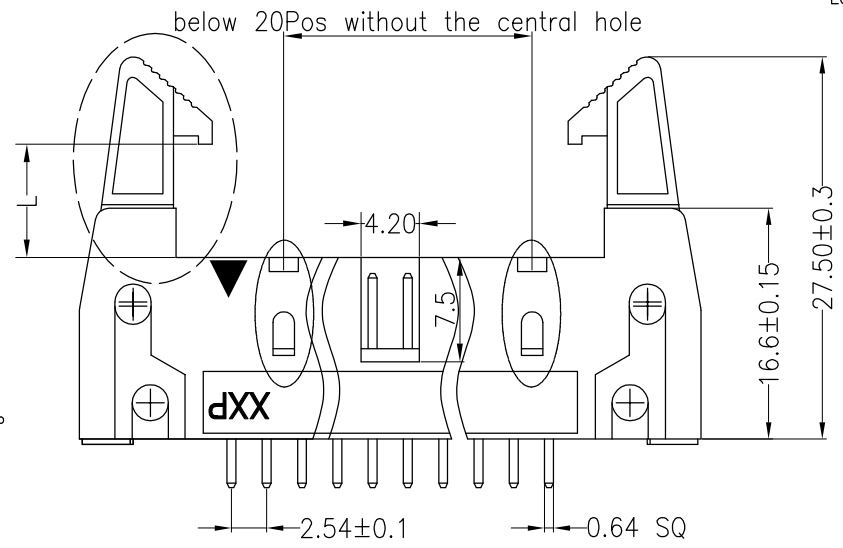
Recommended P.C.B Layout(Top Side)
 (PCB BOARD TOLERANCE±0.05)



Long Latch



Short Latch



Ordering Information

3310 XX S XX X X X X OX

- No.of Pins: 6--64
- Contact Plating: G0:Gold Flash, G1:1U" Gold, G2:1.5U" Gold, G3:2U" Gold, G4:3U" Gold, G5:5U" Gold, G6:10U" Gold, G7:15U" Gold, S0:Gold Flash/Tin, SN:Tin
- Insulator Material Option: A=BK-PBT, C=BK-PA6T, D=BK-PA46, F=BK-PA9T, F=BK-LCP
- Color Type: B=Black, G=Grey
- Latch Type: L=Long Latch, S=Short Latch, N=Without Latch
- Packing: O=PE Bag, A=Tray, T=Tube, P=Tube+Cap

				OPERATION		DRAW	yiyusheng	16.05.21	SCALE	FIT		
				X.X	±0.30				UNIT	mm		
				X.XX	±0.20	CHECK		SIZE	A4	PART NO. 3310XXSXXXXXXOX		
				X.XXX	±0.10		SHEET	1/1				
A0	2016.05.21	NEW DRAWING		Angle	±3°	APPROVE		PROJ.		TITLE: 2.54 ejector header Npin 180°		
REV	DATE	MODIFICATION DESCRIPTION		DIM	TOL		CHANGE					
1	2	3	4	5	6	7	8	9				