

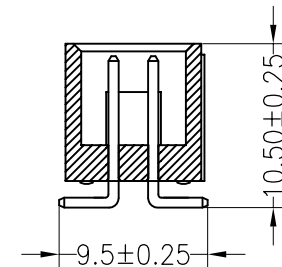
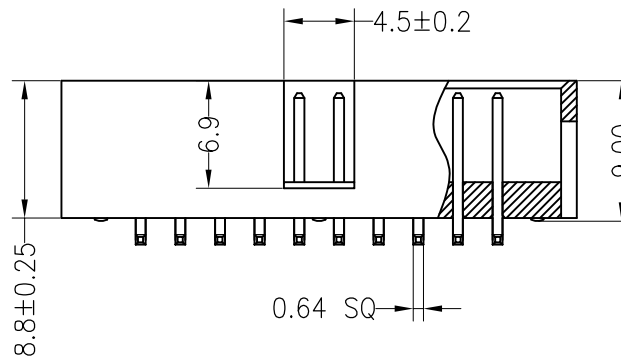
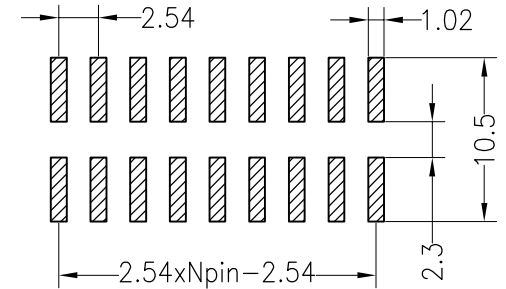
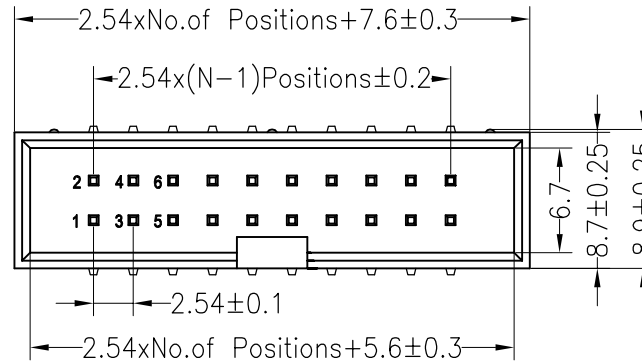


SPECIFICATIONS

Rated Current:3.0AMP
 Contact Resistance:20mΩ Max
 Withstand Voltage:1000V AC/DC
 Insulation Resistance:1000MΩ Min
 Operation Temperature:-40°c to +105°c

Contact Material:Brass
 Contact Plating:Au or Sn Over Ni
 Insulator Material:Polyester(UL94V-0)
 Standard: PA6T
 Max.Processing Temp: 230°C for 30-60 seconds
 (260°C for 10 seconds)

Recommended P.C.B Layout(Top Side)
 (PCB BOARD TOLERANCE±0.05)



Ordering Information

3210 XX M XX X B K00 X 01

No.of Pins: 06-64P
 Contact Plating: G0:Gold Flash, G1:1U" Gold, G2:1.5U" Gold, G3:2U" Gold, G4:3U" Gold, G5:5U" Gold, G6:10U" Gold, G7:15U" Gold, S0:Gold Flash/Tin, SN:Tin
 Insulator Material Option: A=BK-PBT, C=BK-PA6T, D=BK-PA46, E=BK-PA9T, F=BK-LCP
 Packing: 0=PE Bag, A=Tray, T=Tube, P=Tube+Cap
 code stream: 01~99

OPERATION		DRAW	JinChengXin	19.09.21	SCALE	FIT	
X.X	±0.30				UNIT	mm	
X.XX	±0.20	CHECK	SIZE	A4			
X.XXX	±0.10			SHEET	1/1		
Angle	±3°	APPROVE	PROJ.		PART NO.	3210XXMXXXBK00X01	
DIM	TOL				TITLE:	2.54mm Box Header H8.8mm SMT	

A0	2019.09.21	NEW DRAWING	
REV	DATE	MODIFICATION DESCRIPTION	CHANGE