

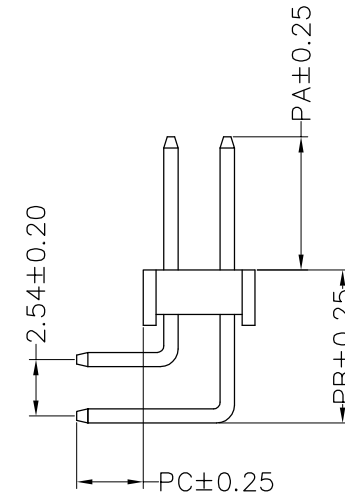
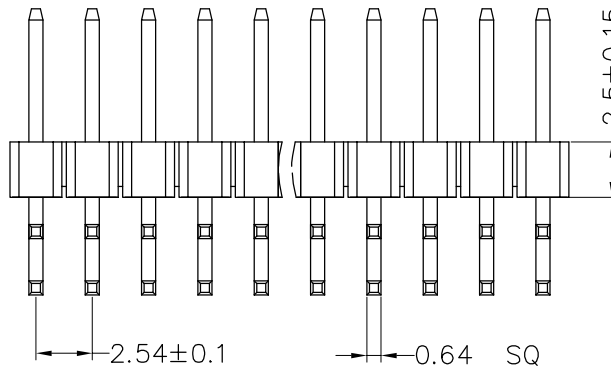
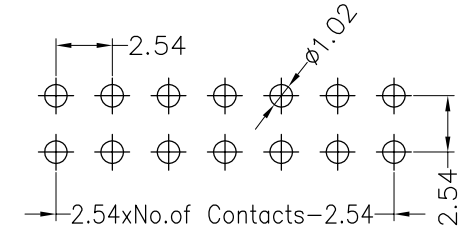
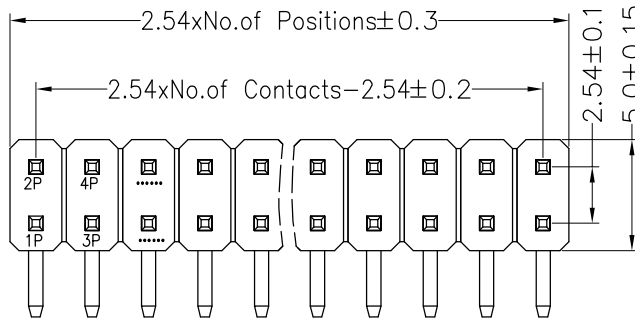


**SPECIFICATIONS**

Rated Current:3.0AMP  
 Contact Resistance:20mΩ Max  
 Withstand Voltage:1000V AC/DC  
 Insulation Resistance:1000MΩ Min  
 Operation Temperature:-40°c to +105°c

Contact Material:Brass  
 Contact Plating:Au or Sn Over Ni  
 Insulator Material:Polyester(UL94V-0)  
 Standard: PA6T  
 Max.Processing Temp: 230°C for 30-60 seconds  
 (260°C for 10 seconds)

Recommended P.C.B Layout(Top Side)  
 (PCB BOARD TOLERANCE±0.05)



**Ordering Information**

**1225 12 XX X N XX R XXX X 01**

- No.of Pins Per Row: 1x40, 2x40, 3x40, 1--40, 2--80, 3--120
- Insulator Material Option: A=BK-PBT, C=BK-PA6T, D=BK-PA46, E=BK-PA9T, F=BK-LCP
- Contact Plating: G0:Gold Flash, G1:1U" Gold, G2:1.5U" Gold, G3:2U" Gold, G4:3U" Gold, G5:5U" Gold, G6:10U" Gold, G7:15U" Gold, S0:Gold Flash/Tin, SN:Tin
- Pin Length: XXX
- Packing: 0=PE Bag, A=Tray, T=Tube, P=Tube+Cap, R=Reel+Cap, M=Reel+Mylar

Dimension antitheses list					
ITEM	PA	PB	PC	L短	L长
Standard	6.00	6.90	3.00	13.80	18.80

OPERATION		DRAW	yiyusheng	14.05.16	SCALE	FIT
X.X	±0.30				UNIT	mm
X.XX	±0.20	CHECK			SIZE	A4
X.XXX	±0.10				SHEET	1/1
Angle	±3°	APPROVE			PROJ.	☼
DIM	TOL					

**starfields**

PART NO. 122512XXXNXXRXXX01

TITLE: 2.54PH H2.5 Dual Row 90° 正弯

A0	2014.05.16	NEW DRAWING	
REV	DATE	MODIFICATION DESCRIPTION	CHANGE