

REV.	DESCRIPTION	DRAWN	CHECKED	APPROVED
A	NEW RELEASE	LJH 09/21/05'	~	LJC 09/21/05'
B	ADD DIM A 5.0mm	LJC 11/04/06'	~	LJC 11/04/06'
C	增加产品规格	LL 12/20/06'		

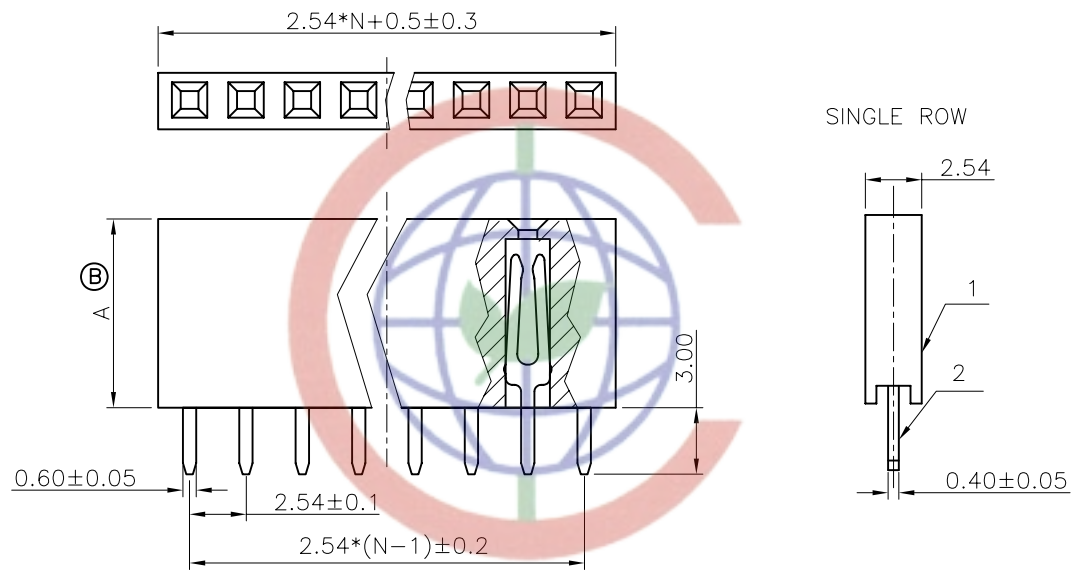
NOTES:

- ELECTRICAL CHARACTERISTICS:
 - CONTACT RESISTANCE: 30mΩ Max. INITIAL.
 - DIELECTRIC WITHSTANDING VOLTAGE: 500V AC(rms) FOR 1 MINUTE.
 - INSULATION RESISTANCE: 1000MΩ Min.
- ENVIRONMENT CHARACTERISTICS:

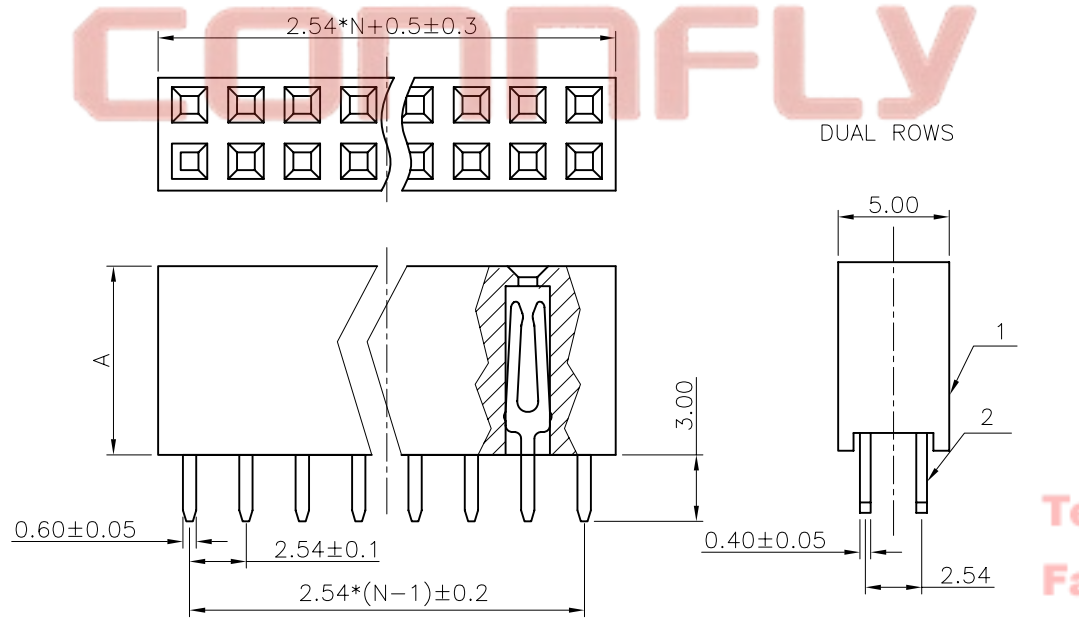
TEMPERATURE RANGE: -45°C~+105°C.
- PRODUCT NUMBER CODE:

DS1023- X X X X

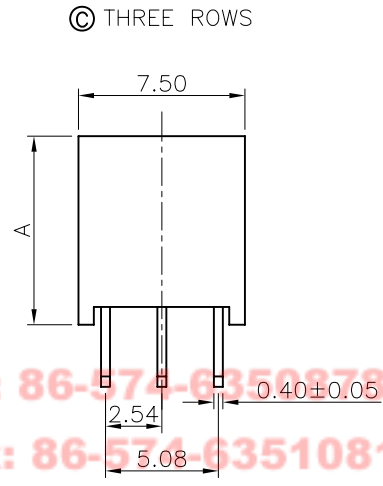
- PROFILE HEIGHT(DIM A)
 - 1: 8.5mm
 - 2: 5.0mm
- CONTACT PLATING
 - 0: SELETIVE GOLD FLASH
 - F1: FULL GOLD FLASH
- MOUNTING TYPE
 - S: Straight TYPE
- No.OF CONTACTS
 - 1*1-1*40
 - 2*2-2*40
 - ③ 3*3-3*40



SINGLE ROW



DUAL ROWS



THREE ROWS

GENERAL TOLERANCE	ANGLE TOLERANCE	PROJECTION	TITLE
X. ±0.60	X. ±5°	UNITS mm	FEMALT HEADER PITCH 2.54mm
.X ±0.38	.X ±3°	SHEET SIZE A4	SERIES DS1023 SERIES
.XX ±0.25	.XX ±2°		

2	CONTACT		COPPER ALLOY	GOLD FLASH	DRAWING TYPE	CUSTOMER	
1	HOUSING		THERMOPLASTIC	UL 94 V-0	SCALE	1:1	SHEET 1 OF 1
ITEM	PART NAME	PART NO.	MATERILAS	FINISHED	DRAWING NO.	C-DS1023-XXXX	


晨翔电子有限公司
CONNFLY CONNFLY ELECTRONIC CO. LTD

Tel: 86-574-63508787
 Fax: 86-574-63510817