

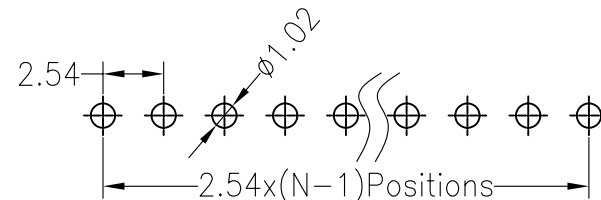
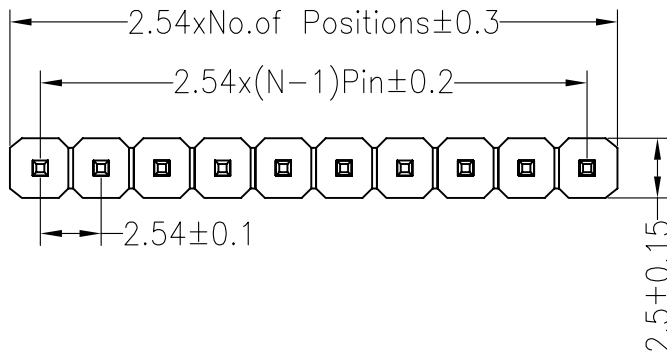


SPECIFICATIONS

Rated Current:3.0AMP
 Contact Resistance:20mΩ Max
 Withstand Voltage:1000V AC/DC
 Insulation Resistance:1000MΩ Min
 Operation Temperature:-40°C to +105°C

Contact Material:Brass
 Contact Plating:Au Over Ni
 Insulator Material:Polyester(UL94V-0)
 Standard: PA6T
 Max.Processing Temp: 230°C for 30-60 seconds
 (260°C for 5 seconds)

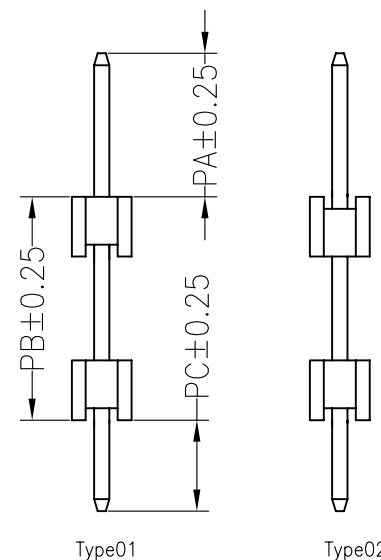
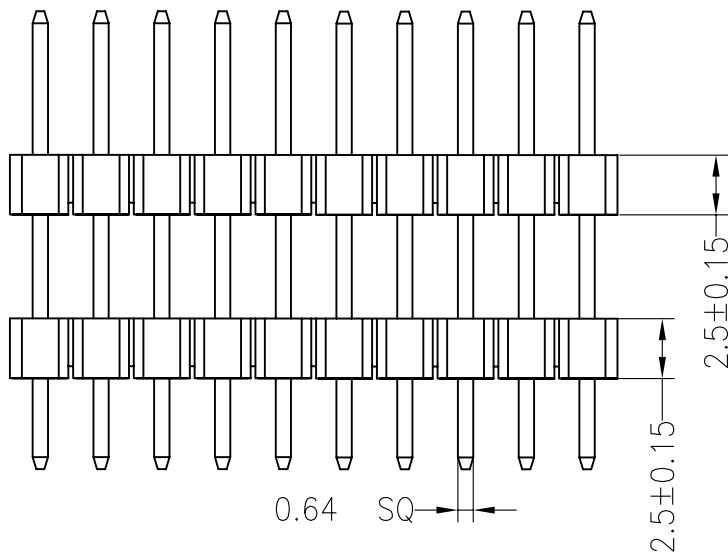
Recommended P.C.B Layout(Top Side)
 (PCB BOARD TOLERANCE±0.05)



Ordering Information

1225 21XX X N XX S XXX X 0X(1,2)

- No. of Pins Per Row 1x40
- Insulator Material Option: A=BK-PBT, B=BK-PA66, C=BK-PA6T, D=BK-PA46, F=BK-LCP
- Contact Plating: G0:Gold Flash, G2:5U" Gold, G3:10U" Gold, G4:15U" Gold, G5:30U" Gold, S0:Gold Flash/Tin, SN:Tin
- Pin Length
- Packing: 0=PE Bag, A=Tray, T=Tube



Dimension antitheses list				
ITEM	PA	PB	PC	L
Standard	6.00	5.00	3.00	14.0
Alternate				



				OPERATION		DRAW	YiYuSheng	15.01.28	SCALE	FIT	PART NO. 122521XXXNXXSXXX0X(1,2) TITLE: 2.54PH H2.50mm Single 180° Npin	
				X.X	±0.30				UNIT	mm		
				X.XX	±0.20	CHECK		SIZE	A4			
A0	2015.01.28	NEW DRAWING		X.XXX	±0.10	APPROVE		SHEET	1/1			
REV	DATE	MODIFICATION DESCRIPTION		CHANGE				PROJ.	◆			