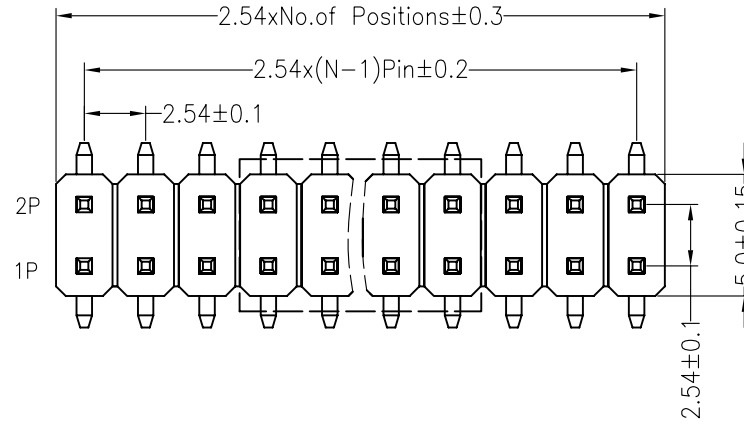




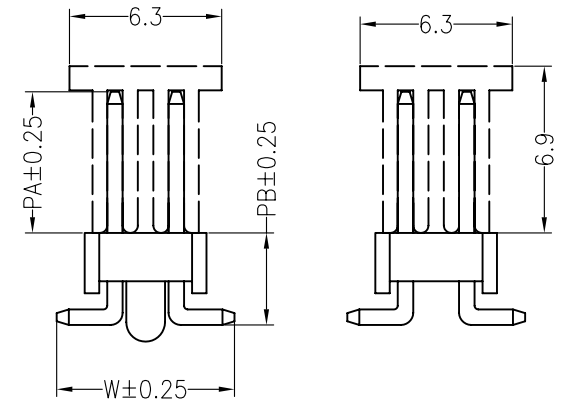
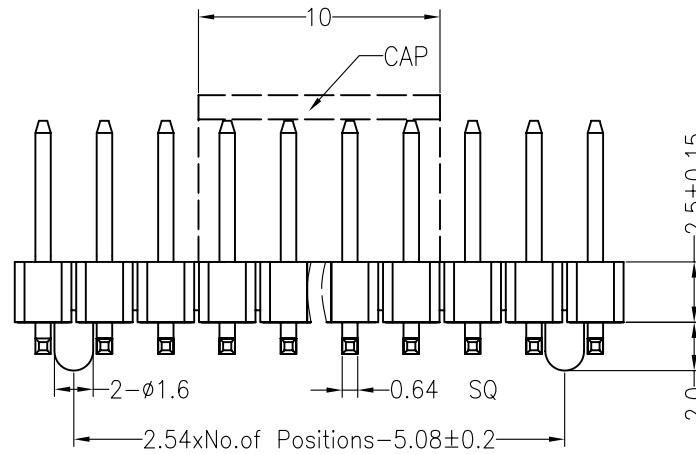
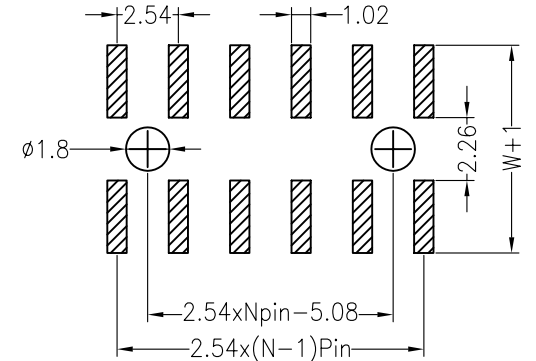
**SPECIFICATIONS**

Rated Current:3.0AMP  
 Contact Resistance:20mΩ Max  
 Withstand Voltage:1000V AC/DC  
 Insulation Resistance:1000MΩ Min  
 Operation Temperature:-40°C to +105°C

Contact Material:Brass  
 Contact Plating:Au or Sn Over Ni  
 Insulator Material:Polyester(UL94V-0)  
 Standard: PA6T  
 Max.Processing Temp: 230°C for 30-60 seconds  
 (260°C for 5 seconds)



**Recommended P.C.B Layout(Top Side)**  
 (PCB BOARD TOLERANCE±0.05)



**Ordering Information**

1225 1 2 XX X X XX M XXX X 01

- No. of Pins Per Row: 2\*40
- Insulator Material Option: A=BK-PBT, B=BK-PA66, C=BK-PA6T, D=BK-PA46, F=BK-LCP
- Post: W=With Post, N=W/O Post
- Contact Plating: G0:Gold Flash, G2:5U" Gold, G3:10U" Gold, G4:15U" Gold, G5:30U" Gold, S0:Gold Flash/Tin, SN:Tin
- Pin Length
- Packing: O=PE Bag, A=Tray, T=Tube, P=Tube+Cap, R=Reel+Cap, M=Reel+Mylar

| Dimension antitheses list |      |      |      |      |
|---------------------------|------|------|------|------|
| ITEM                      | PA   | PB   | W    | L    |
| Standard                  | 6.00 | 3.20 | 7.50 | 11.0 |
| Alternate                 |      |      |      |      |

|     |            |                          |  |           |       |         |           |          |       |          |  |  |                          |
|-----|------------|--------------------------|--|-----------|-------|---------|-----------|----------|-------|----------|--|--|--------------------------|
|     |            |                          |  | OPERATION |       | DRAW    | YiYuSheng | 12.04.11 | SCALE | FIT      |  |  |                          |
|     |            |                          |  | X.X       | ±0.30 |         |           |          | UNIT  | mm       |  |  |                          |
|     |            |                          |  | X.XX      | ±0.20 | CHECK   |           | SIZE     | A4    | PART NO. |  |  | 122512XXXXXXMXXXX01      |
| A0  | 2012.04.11 | NEW DRAWING              |  | X.XXX     | ±0.10 | APPROVE |           | SHEET    | 1/1   | TITLE:   |  |  | 2.54PH 2xNpin H2.5mm SMT |
| REV | DATE       | MODIFICATION DESCRIPTION |  | CHANGE    | DIM   | TOL     |           | PROJ.    | ☉ ↺   |          |  |  |                          |