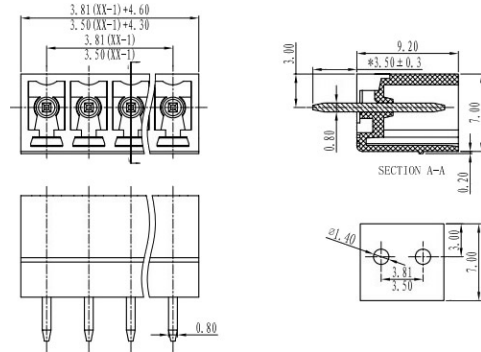


PLUGGABLE TERMINAL BLOCKS

ULO-TB01-15VC/3.5 Pitch: 3.5mm

ULO-TB13-15VC/3.81 Pitch: 3.81mm



Standard	UL	TUV
Rated voltage	300V	300V
Rated current	10A	10.5A
Withstanding voltage	AC2000V/1Min	
Ambient temperature	-40°C~+115°C	
Pitch	3.5mm(.138") 3.81mm(.150")	
Poles	2P-24P	
Housing	PA66,UL94V-0	
Cage	Brass,Tin plated	

HOW TO ORDER:

ULO - TB \underline{XX} - $\underline{XX...X}$ - \underline{XX} P - \underline{X} \underline{X} \underline{X} $\underline{0A}$
 1 2 3 4 5 6 7 8

- 1 Company name. ULO 2 Model.
- 3 Material code. Any letters and (or) digits for factory material code.
- 4 Number of poles. Two digits from 02 to 24.
- 5 Colour of housing. One digit from 1 to 9.
 1. Grey; 2. Blue; 3. Black; 4. Green; 5. Orange; 6. Red; 7. Transparent; 8. Yellow; 9. White.