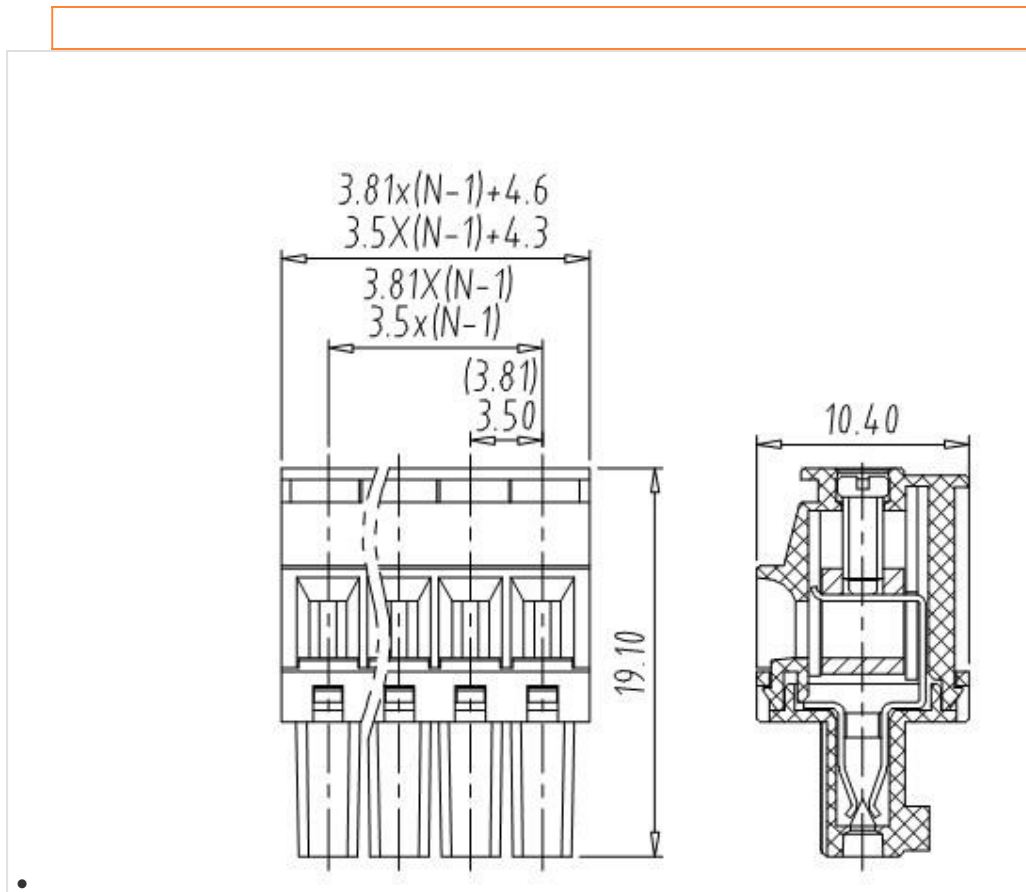



ULO-TB03-15KB/3.5, ULO-TB15-15KB/3.81



- Part No.:ULO-TB03-15KB/3.5, ULO-TB15-15KB/3.81

Pitch:	3.5mm(.138") / 3.81mm(.150")	
		
Rated voltage	300V	250V
Rated current	10A	10.5A
Ambient temperature	-40°C~+115°C	
Wire range	28-16AWG	0.25-1.5mm ²
Torque	0.2N.m	
Poles	02P-24P	
Material Message		
Housing	PA66,UL94V-0	
Screws	M2,steel,Cr3+ Zn plated	
Contact	Phosphor bronze,Tin Plated	
Cage	Brass,Ni plated	

