

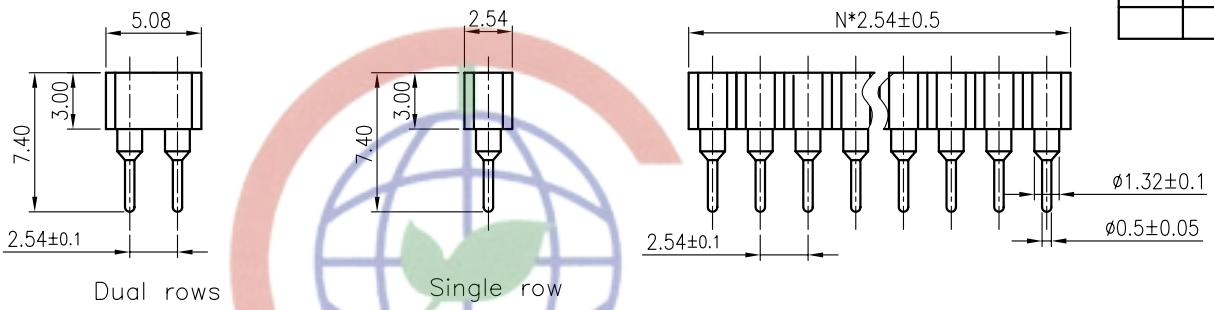
REV.	DESCRIPTION	DRAWN	CHECKED	APPROVED
A	NEW RELEASE	LL 07/02/06'		

NOTES:

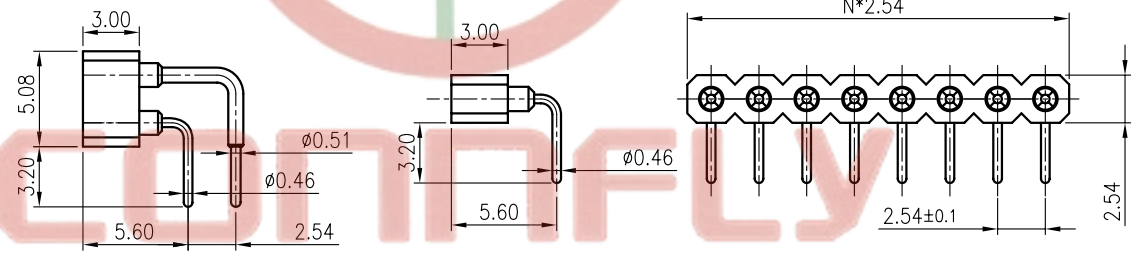
- ELECTRICAL CHARACTERISTICS:
  - CONTACT RESISTANCE: 20mΩ Max.
  - DIELECTRIC WITHSTANDING VOLTAGE: 500V AC(rms) FOR 1 MINUTE.
  - INSULATION RESISTANCE: 1000MΩ Min.
- MECHANICAL CHARACTERISTICS:
  - CONTACT RETENTION FORCE: 1000g Min.
- ENVIRONMENT CHARACTERISTICS:
  - OPERATING TEMPERATURE: 0°C~+85°C.
  - STORAGE TEMPERATURE: -20°C~+70°C.
- PRODUCT NUMBER CODE:

DS1002-01 - X X X X

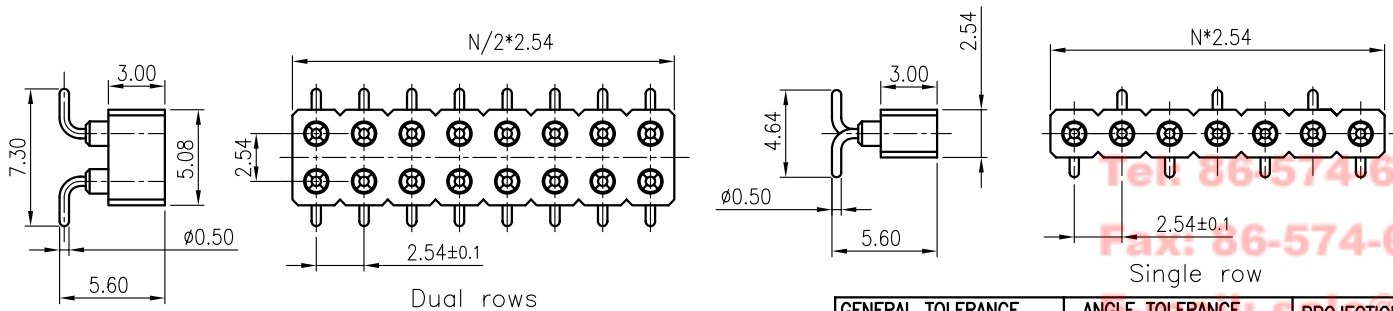
- Clip plating
  - Tin 150u"
  - Tin 200u"
  - G/F
  - Gold 3u"
  - Gold 10u"
  - Gold 15u"
- Pin plating
  - Tin 150u"
  - Tin 200u"
  - G/F
  - Gold 3u"
  - Gold 10u"
  - Gold 15u"
- Mounting type
  - V: V/T TYPE
  - R: R/A TYPE
  - S: SMT TYPE
- No. of contacts
  - 1\*1 - 1\*40
  - 2\*1 - 2\*40



Dual rows  
Single row  
V/T TYPE



Dual rows  
Single row  
R/A TYPE



Dual rows  
Single row  
SMT TYPE

N: No. of contacts

GENERAL TOLERANCE		ANGLE TOLERANCE		PROJECTION	TITLE	
X.	±0.60	X.	±5'	UNITS	mm	
.X	±0.38	.X	±3'	SHEET SIZE	A4	
.XX	±0.25	.XX	±2'	SERIES DS1002-01 SERIES		
DRAWING TYPE		CUSTOMER		晨翔电子有限公司 CONNFLY CONNFLY ELECTRONIC CO. LTD		
SCALE		SHEET				
DRAWING NO.		C-DS1002-01-XXXX				

REV.	DESCRIPTION	DRAWN	CHECKED	APPROVED
A	NEW RELEASE	LL 12/11/06'		

NOTES:

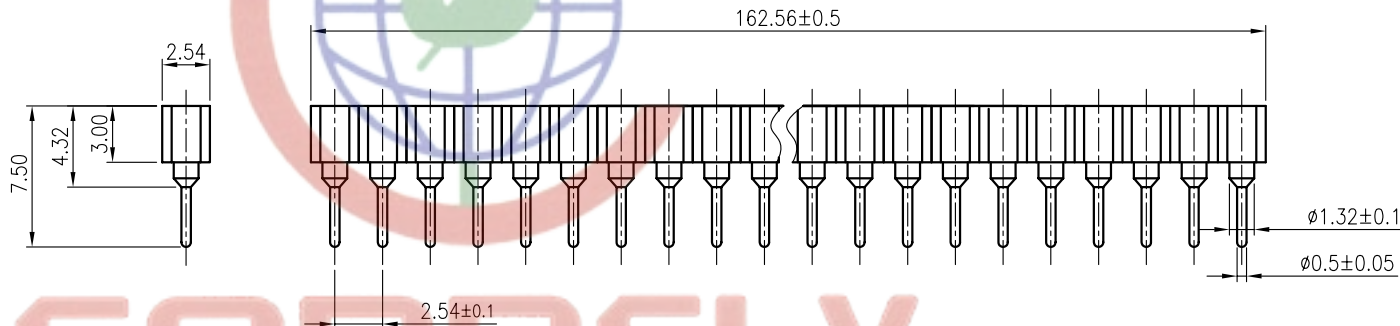
- ELECTRICAL CHARACTERISTICS:
  - CONTACT RESISTANCE: 20mΩ Max.
  - DIELECTRIC WITHSTANDING VOLTAGE: 500V AC(rms) FOR 1 MINUTE.
  - INSULATION RESISTANCE: 1000MΩ Min.
- MECHANICAL CHARACTERISTICS:
  - CONTACT RETENTION FORCE: 1000g Min.
- ENVIRONMENT CHARACTERISTICS:
  - OPERATING TEMPERATURE: 0°C~+85°C.
  - STORAGE TEMPERATURE: -20°C~+70°C.
  - RESISTANCE TO SOLDERING HEAT: 260±5°C 5±0.5s.

- MATERIALS:
  - HOUSING: PPS
  - PIN: COPPER ALLOY
  - CLIP: COPPER ALLOY

5. PRODUCT NUMBER CODE:

DS1002-01 - X X X X

- Clip plating  
3: GOLD FLASH
- Pin plating  
1: Tin
- Mounting type  
V: V/T TYPE
- No. of contacts  
64



Tel: 86-574-63508787

Fax: 86-574-63510817

GENERAL TOLERANCE		ANGLE TOLERANCE		PROJECTION	TITLE
X.	±0.60	X.	±5'	mm	IC SOCKET R/A & V/T & SMT
.X	±0.38	.X	±3'	A4	PITCH 2.54mm
.XX	±0.25	.XX	±2'	SHEET SIZE	SERIES DS1002-01 SERIES
DRAWING TYPE	CUSTOMER	<b>晨翔电子有限公司</b> <b>CONNFLY CONNFLY ELECTRONIC CO. LTD</b>			
SCALE	1:1	SHEET	10F1		
DRAWING NO.	C-DS1002-01-64VXX				