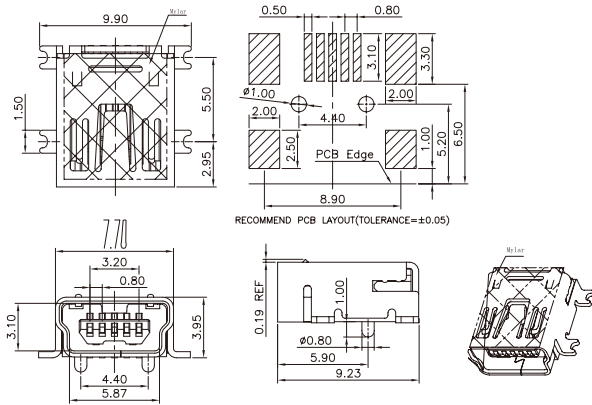


MINI-USB B TYPE 5 PIN FEMALE SMT



ULO-MU492

PITCH: 0.80mm



Specification	
Insulation Resistance:	100MΩ Min
Dielectric Withstanding Voltage:	100V AC (rms) for 1 Minute
Contact Resistance:	50mΩ Max. Initial
Durability:	5000
Material	
Housing:	Thermoplastic with 30% G.F, UL94V-0
Contact:	Copper Alloy
Shell:	Copper Alloy

HOW TO ORDER

