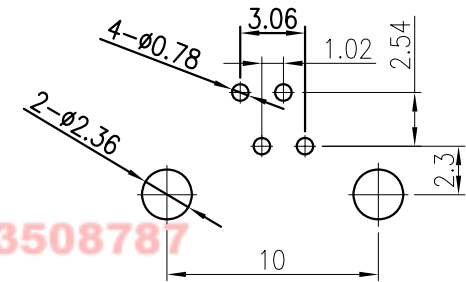
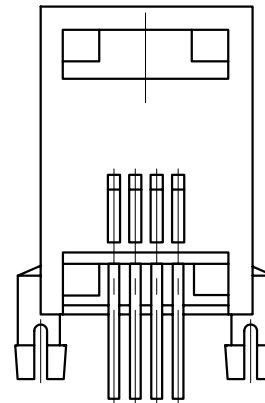
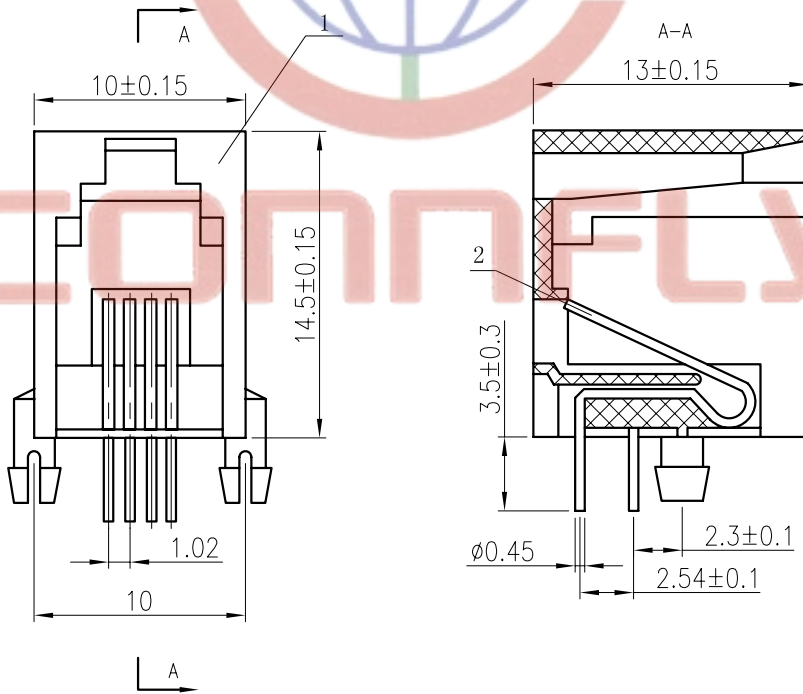
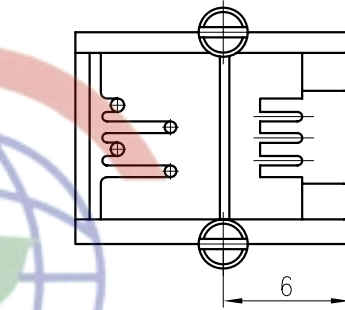


REV.	DESCRIPTION	DRAWN	CHECKED	APPROVED
A	NEW RELEASE	LL 06/24/06'		

SPECIFICATION

- Insulation Resistance:1000MΩ Min.
  - Withstand Voltage:500V AC/Minute.
  - Contact resistance: 50mΩ max.
  - Durability:600 Mating Cycles Min.
  - Product Number Code:  
DS1132-X X X X X
- Housing Materials  
P:PBT  
N:NYLON
  - Housing Color  
G:Gray  
B:Black
  - Contact Plating  
0:Gold Flash  
3:Selective 3u" Gold  
(6;15;30)Micro Inch
  - No.Of Contacts  
4:4P4C
  - Connector Type  
S:Socket
  - Series No.  
DS1132



Tel: 86-574-63508787

Fax: 86-574-63510817

RECOMMEND PCB LAYOUT(TOLERANCE=±0.05)

GENERAL TOLERANCE		ANGLE TOLERANCE		PROJECTION	TITLE
X.	±0.60	X.	±5'	mm	PCB JACK 4P
.X	±0.38	.X	±3'	A4	SERIES DS1132 SERIES
.XX	±0.25	.XX	±2'		

No.	PART NAME	QTY	MATERAIL	REMARK
(2)	PIN		PHOSPHOR BRONZE	GOLD-PLATING OVER NICKEL
(1)	HOUSING	1	PBT OR NYLON	UL94 V-0 OR 94 V-2

DRAWING TYPE	CUSTOMER
SCALE	1:1 SHEET 1 OF 1
DRAWING NO.	C-DS1132-XXXXX

晨翔电子有限公司  
CONNFLY CONNFLY ELECTRONIC CO. LTD