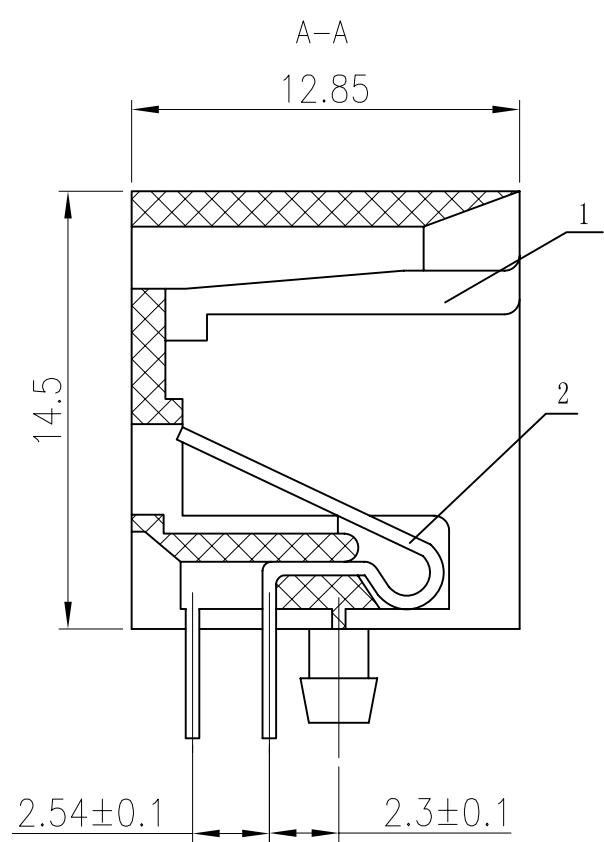
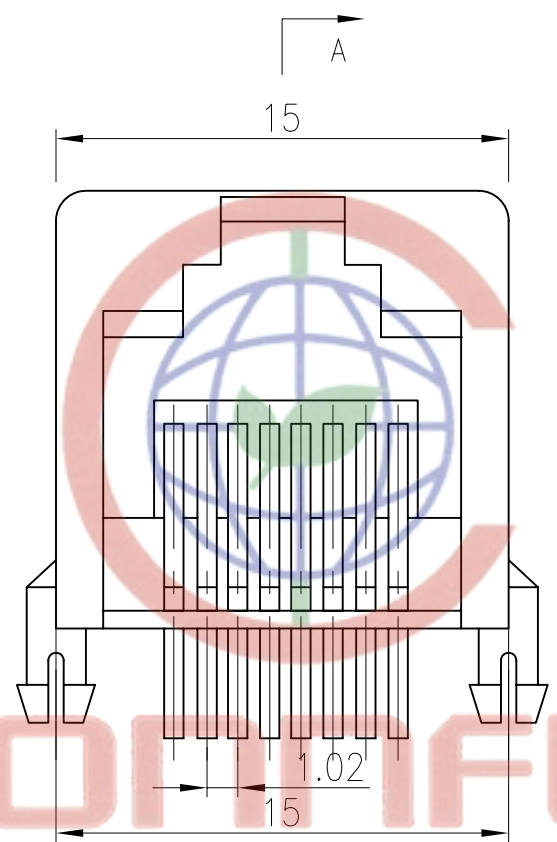


| | | | | |
|------|-------------|--------------|---------|----------|
| REV. | DESCRIPTION | DRAWN | CHECKED | APPROVED |
| A | NEW RELEASE | LL 06/24/06' | | |

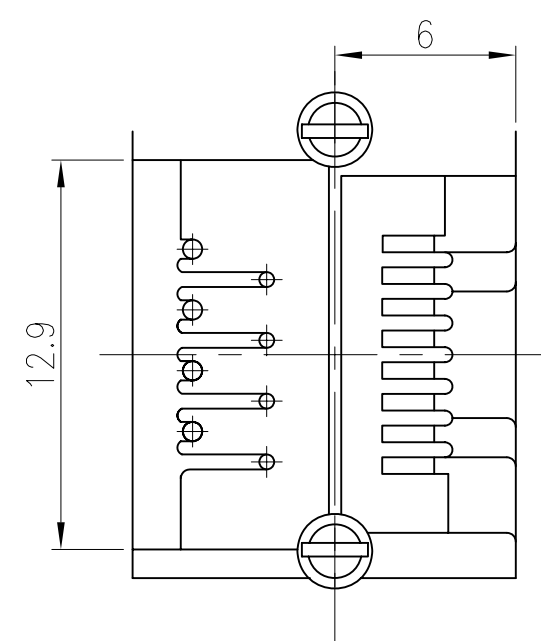
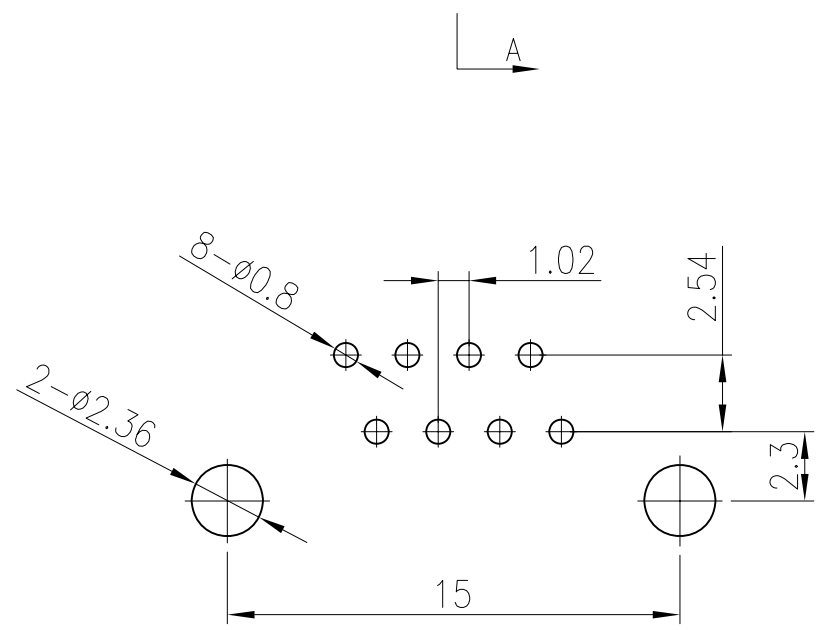


SPECIFICATION

1. Insulation Resistance:1000MΩ Min.
2. Withstand Voltage:500V AC/Minute.
3. Durability:600 Mating Cycles Min.
4. Product Number Code:

DS1134-X X X X X

- Housing Materials
P:PBT
N:NYLON
- Housing Color
G:Grey
B:Black
- Contact Plating
0:Gold Flash
3:Selective 3u" Gold
(6;15;30)Micro Inch
- No.Of Contacts
8:8P8C
- Connector Type
S:Socket
- Series No.
DS1134



RECOMMEND PCB LAYOUT(TOLERANCE=±0.05)

| | | | |
|-------------------|-------|-----------------|-----|
| GENERAL TOLERANCE | | ANGLE TOLERANCE | |
| X. | ±0.60 | X. | ±5' |
| .X | ±0.38 | .X | ±3' |
| .XX | ±0.25 | .XX | ±2' |

| | | | |
|------------|----|------------|---------------|
| PROJECTION | | TITLE | PCB JACK 8P |
| UNITS | mm | SHEET SIZE | A4 |
| SHEET SIZE | A4 | SERIES | DS1134 SERIES |

| | | | | |
|-----|-----------|-----|-----------------|--------------------------|
| (2) | PIN | | PHOSPHOR BRONZE | GOLD-PLATING OVER NICKEL |
| (1) | HOUSING | 1 | PBT OR NYLON | UL94 V-0 OR 94 V-2 |
| No. | PART NAME | QTY | MATERIAL | REMARK |

| | | | |
|--------------|----------------|-------|--------|
| DRAWING TYPE | CUSTOMER | | |
| SCALE | 1:1 | SHEET | 1 OF 1 |
| DRAWING NO. | C-DS1134-XXXXX | | |

晨翔电子有限公司
CONFLY CONFLY ELECTRONIC CO. LTD

Tel: 86-574-63508787
 Fax: 86-574-63510817
 E-mail: sale@zhengxin.com.cn
 H: www.zhengxin.com.cn
 Add: West Xinglin Town, Civi Ningbo, China
 P.C.: 315321