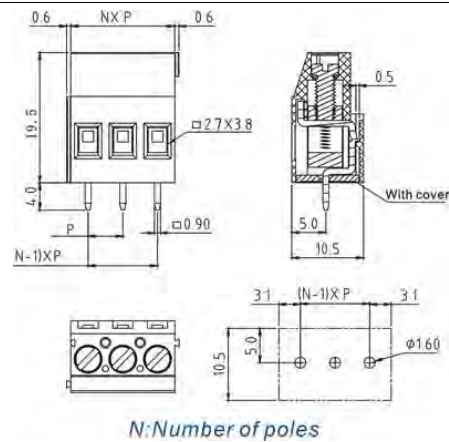


PCB RISING CLAMP TERMINAL BLOCKS

ULO-TB25-129C/5.0 Pitch: 5.0mm

ULO-TB31-129C/5.08 Pitch: 5.08mm



Standard	UL	TUV
Rated voltage	300V	320V
Rated current	20A	20A
Wire range	28-12AWG	0.2-4mm ²
Withstanding voltage	AC2000V/1Min	
Torque	0.5Nm(4.4Lb-In.)	
Ambient temperature	-40°C~+115°C	
Strip length	6-7mm	
Pitch	5.0mm(.197"),5.08mm(.200")	
Poles	2P,3P-24P	
Housing	PA66,UL94V-0	
Screws	M3,steel,Cr ³⁺ Zn plated	
Pin header	Brass,Tin plated	
Cage	Brass,Ni plated	

HOW TO ORDER:

ULO - TB_{XX} - XX...X - XX P - X X X 0A
 1 2 3 4 5 6 7 8

- Company name. ULO 2 Model.
- Material code. Any letters and (or) digits for factory material code.
- Number of poles. Two digits from 02 to 24.
- Colour of housing. One digit from 1 to 9.
1. Grey; 2. Blue; 3. Black; 4. Green; 5. Orange; 6. Red; 7. Transparent; 8. Yellow; 9. White.
- Screw head type. One digit 0 or 1. 0. Slot screw; 1. Cross screw.
- Screw clamping type. One digit 0 or 1. 0. Screw down; 1. Screw up.
- Brass cage. '0A' Normal brass cage product.